

# Smart PV PLC Transceiver FR-PVMS-HKB

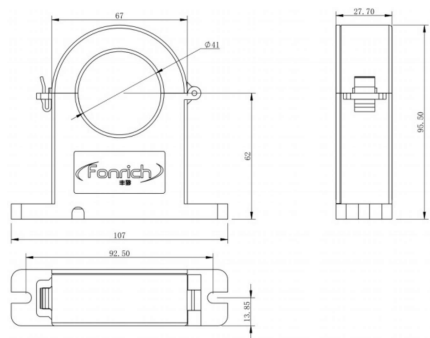


## [Main Features]

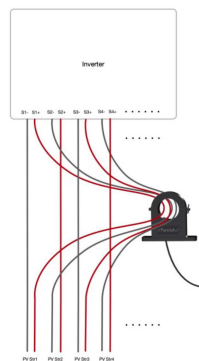
- PV module rapid shutdown meeting NEC 2017, 2020 & 2023(690.12) requirements
- Bidirectional PLC communication with smart PV safety protection device
- Modbus RS485 port to connect with monitor
- Non electrical contact with PV cable, safely and easily installation
- Max support 24 PV strings, and 624 PV modules



## [Product size and installation method]



Installed on the wall with two self-tapping screws  
(The installation method can be adjusted according to the actual situation)



## [Specifications]

Item	Specification	Unit	Comment
<b>Electrical Data</b>			
Range of power supply voltage	15 ~ 24	Vdc	-
Max power consumption	3	W	-
<b>Environmental Data</b>			
Pollution degree	PD3	-	-
Operating ambient temperature range	-40 ~ 70	°C	-
Relative humidity range	4~100	%	-
Ingress protection	IP67	-	-
<b>PLC Communication Performance Data</b>			
Max PV modules under one PLC transceiver	624		
Max PV strings under one PLC transceiver	24		
Max cable loop length each string	1600	m	-
<b>Modbus Port Data</b>			
RS485 speed	4800, 9600, 19200, 38400	bps	-
Data format	8N1	-	-

## [Smart PV Monitor & Gateway Wiring Diagram]



Specific wiring description	
Black	Negative (24Vdc-)
Purple	Positive (24Vdc+)
Blue	B (RS485)
Brown	A (RS485)

