





Smart PV Monitor & Gateway FR-PVMS-MDEB

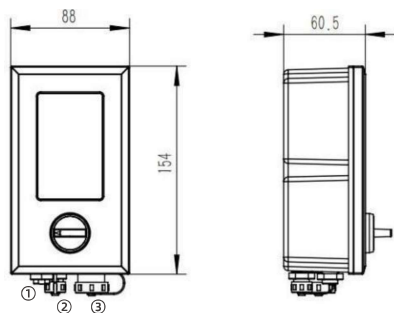


[Key Features]

-  RS485 connects up to 4 Smart PV PLC Transceivers
-  Bluetooth BLE for local setting with mobile APP
-  WIFI and RJ45 Ethernet for cloud connecting
-  Local display up to 2496 PV modules

CE

[Product size]



Number	Interface Name
①	PLC interface
②	100 ~ 260VAC interface
③	ETH interface

[Specifications]

Item	Specification	Unit	Comment
Electrical Data			
Range of power supply voltage	100 ~ 260	Vac	-
Max power consumption	15	W	-
Aux power output voltage	24	Vdc	-
Max aux power output	≤18W	W	-
Environmental Data			
Operating ambient temperature range	-30 ~ 70	°C	-
Relative humidity range	0 ~ 90	%	-
Ingress protection	IP42	-	-
Compliance			
Safety compliance	CE LVD Directive 2014/35/EU CE EMC Directive 2014/30/EU	-	-
Cloud Connection			
Cloud	Fonrich SafeSalor	-	customize
IoT protocol	MQTT 3.1	-	-

[Installation method]

